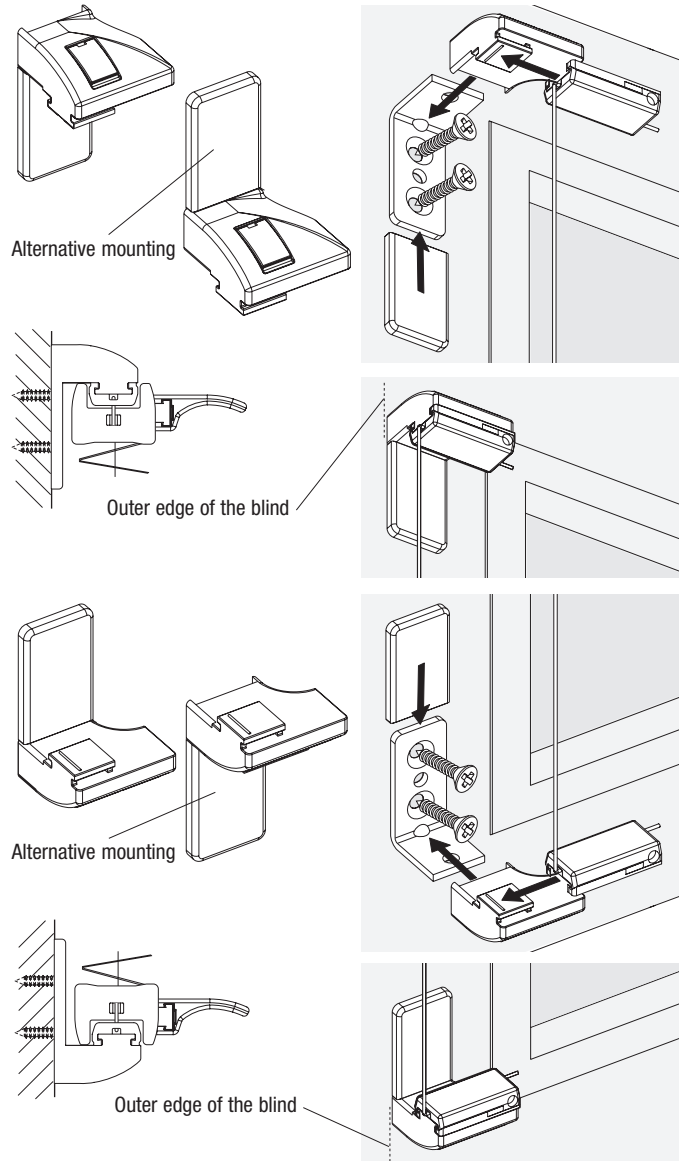


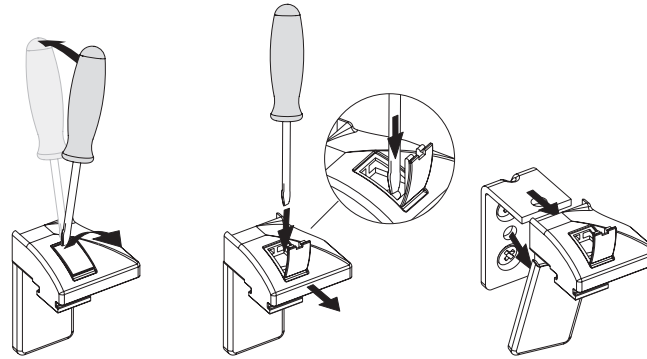
Wall fastener / window fastener with mounting bracket



Recommendation: DIN 7982 Ø 3.9 x 13 mm
(for wooden and synthetic frames)



Dismantle mounting bracket

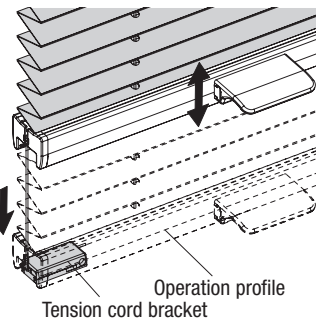


Operation

Pleated blind with stretched cords are operated by use of the finger grip.

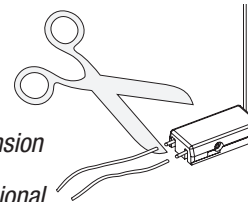
Locking
Click the operation profile over the tension cord bracket.

“Click”



After having checked that the pleated blind functions as prescribed, the excess cord ends can be cut off.

Attention: Adjustment of the cord tension must be uniform and may only be made by a professional.



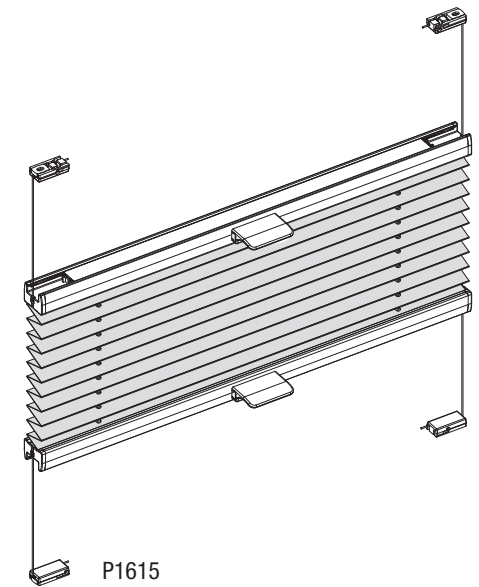
Care

Thanks to a special manufacturing process, our fabric qualities are furnished with an antistatic finish and are therefore resistant to dust and dirt. Occasional brushing with a soft brush or a feather duster is usually sufficient.

When cleaning glass and the window frame, make sure that no water or caustic cleaning agents come into contact with the pleated blind fabric.

No guarantee can be offered for damage to fabrics that is attributable to condensate, cleaning agents or soiling by insects.

Model P1615



Dear Customer,

this dimensionally accurate pleated blind was produced especially according to your requirements. High quality materials and a design that is perfect in function and elegance guarantee a long service lifetime and thus ensure great pleasure in the purchased product.

Your pleated blind Manufacturer



Please read this instructions carefully before fitting the blind



Blinds must be fitted by skilled personnel. Wrong installation may result in accidents.

Alterations of the blind must be approved by the blind manufacturer.

No screws for fixing are enclosed.

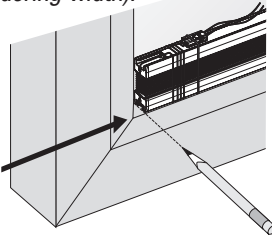
Always use appropriate screws and plugs suited for the wall or ceiling material where the blind is fitted!

Mounting of the tension cord bracket

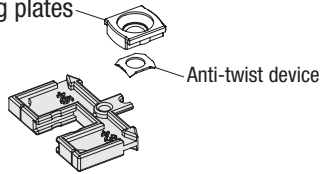
Information to all mounting types:

Determination and marking of the position for the clamping shoe (always the outer edge of the blind = ordering width).

The ordered width is easy to find by placing the pleated blind in the window frame and marking the ends.

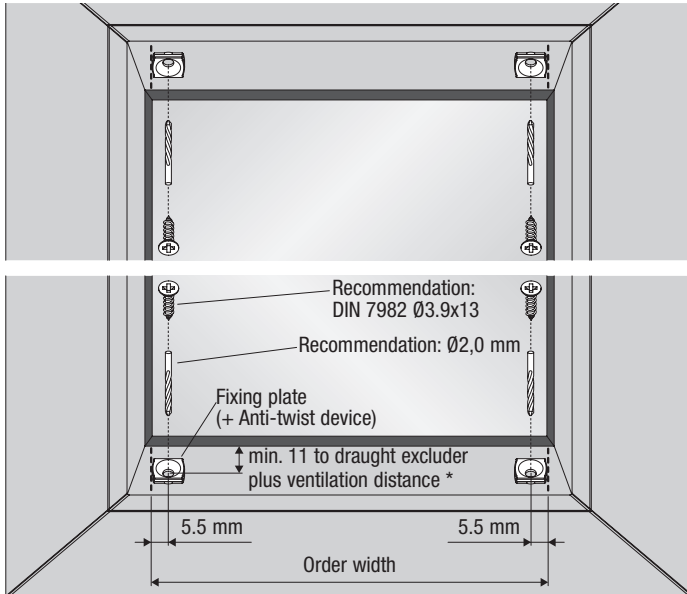


Mounting glass border with fixing plates



Use mounting template (red) see separate sheet.

After marking the ordering width as described above, mount the holding brackets on top and at the bottom according to the illustration.



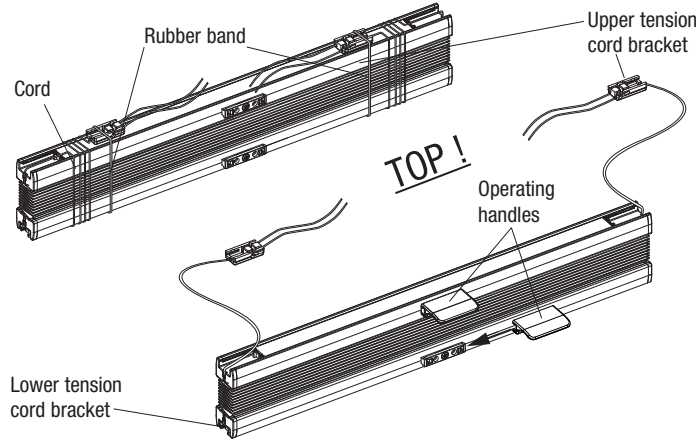
Attention:

In order to avoid any glass damage, a minimum distance to the pane has to be kept!

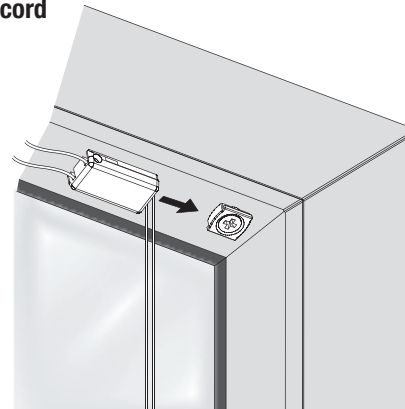
Recommendation: Transparent fabric min. 3 mm ventilation distance. Blackout fabric min. 5 mm ventilation distance. Honeycomb fabric min. 20 mm ventilation distance. (Special glass may according to instructions from the manufacturer require bigger distance).

Mounting of the tension cord bracket

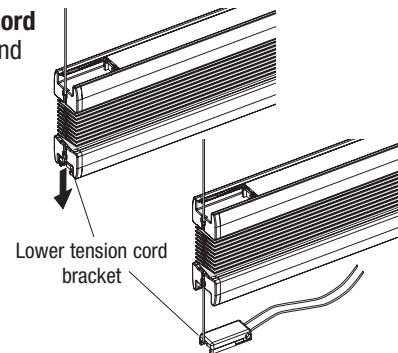
Remove rubber band, unwind the cord incl. tension cord bracket and **mount operating handles**.



Push the **upper tension cord brackets** over the fixing plates until they lock.

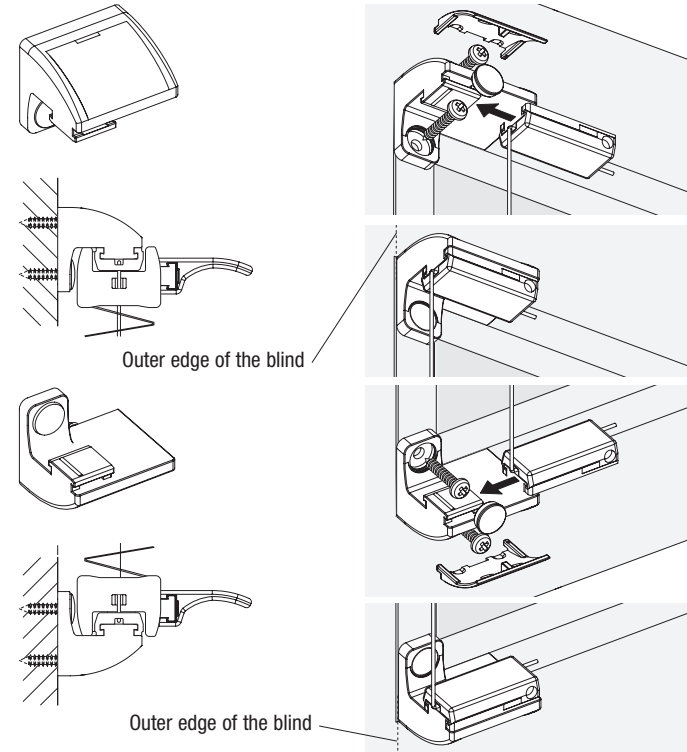


Take the **lower tension cord brackets** out of the rail and push them over the fixing plates until they lock.



Mounting possibilities

Installing the window moulding with moulding locking strip



Recommendation: DIN 7981 Ø 2.9 x 9.5 mm (for wooden and synthetic frames) Max. length of the screw = window moulding depth!

