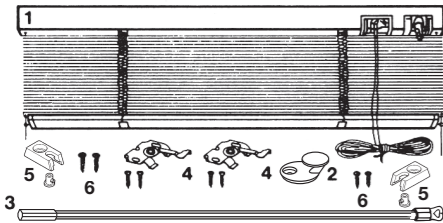


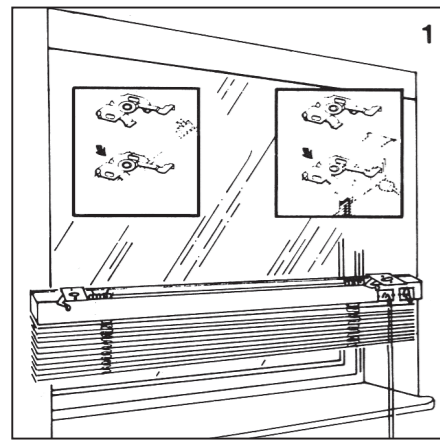
## Mounting in the glazing bead (inside mount)

### Equipment:

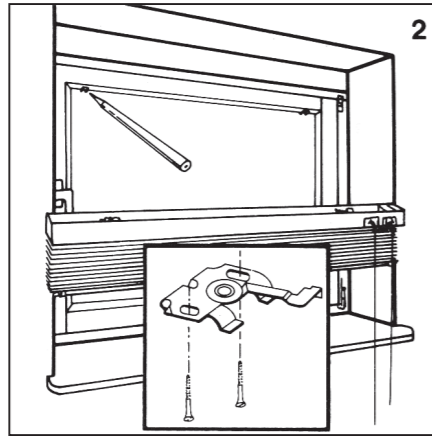
1. Venetian blind with head rail, slats, bottom rail and (optional) side guiding
2. Cord holder
3. Wand
4. Ceiling bracket
5. Suspension device with clamping ring
6. Screws



1. Fit the brackets in the open position to the head rail. The first bracket should be near to the handling mechanisms, so that Your blind could work smoothly and efficiently. The second bracket should lie on the other end of the blind.

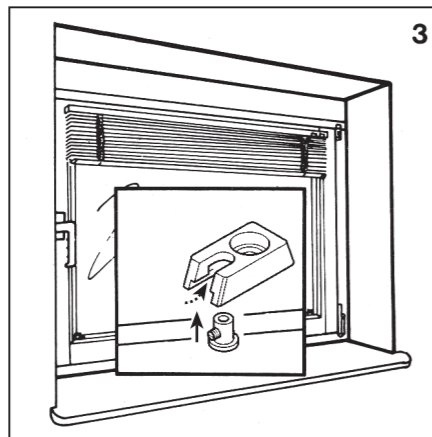


2. With so fixed brackets, the blind should be held at glazing bead to mark the place where the brackets will be installed. Now the brackets can be taken off and screwed to the glazing bead.



3. Having the brackets installed and their swivel in open position, fit the blinds head rail at a small angle into the brackets and fix it by firmly pushing the swivels to the left.

So fixed blind can be now opened by lowering it down and the wire of the side guiding can be fixed to the glazing bead by using the attached devices. The wire is always longer than the blind, but can be shortened, when it's fixed to the glazing bead and after adjusting the tension.



## Handling of the blind

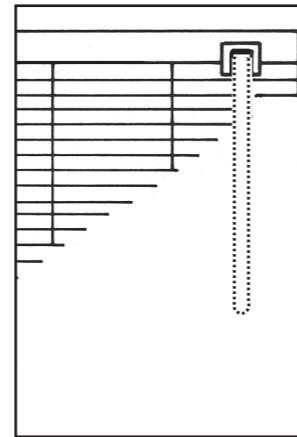
### Lifting and lowering the blind

By pulling the cord slightly to the centre of the blind, the blind can be lifted and lowered.  
By pulling the cord to the outside, the blind will be blocked on the required height.

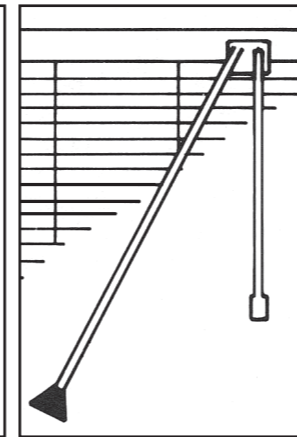
When lowering and lifting the blind, the slats should be in the horizontal position (open).

### Rotating the slats

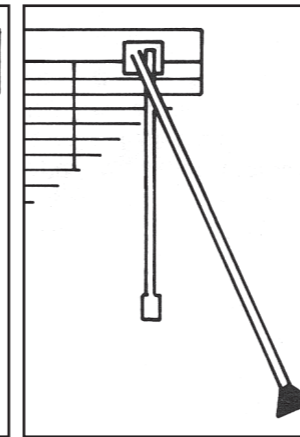
With the use of the wand, the slats can be adjusted in any position.



Monocomando chain



Lifting and lowering the blind



Blocking the blind

### Handling of a monocomando blind

By pulling slightly the chain in one or the other direction, the angle of the slats is adjusted.

By pulling the chain continuously in one or the other direction, the blind is lowered or lifted.

### Image of right handling

This installation instructions and their options are valid for all type of blinds and plisse on blind system.

# Alucolor®

## IMPORTANT INFORMATIONS INSTRUCTION AND MOUNTING WAYS

Depending on the type of purchased article and mounting ways look on the picture.

- A. Mounting in the glazing bead
- B. Mounting in the window niche or to the wall
- C. Mounting to the window frame
- D. Mounting on the PVC or Aluminium window

### WARNING

- Young children can be strangled by loops in pull cords, chains, tapes and inner cords that operate the product. They can also wrap cords around their necks.
- To avoid strangulation and entanglement, keep cords out of reach of young children.
- Move beds, cots and furniture away from window covering cords.
- Do not tie cord together. Make sure cords do not twist and create a loop.
- Install and use the included child safety devices according to the installation instructions on these devices to reduce possibility of such an accident.

According to EN 13120

**A lowered blind is not any protection for children from falling out of windows.**

### CARE INSTRUCTIONS

All our wood- and aluminum blinds and pleated blinds on blind system, should be regularly dusted with a soft cloth or brushed with a soft brush and finally dusted. Big dirt can be removed with a damp cloth, without using any detergent.

### WARRANTY

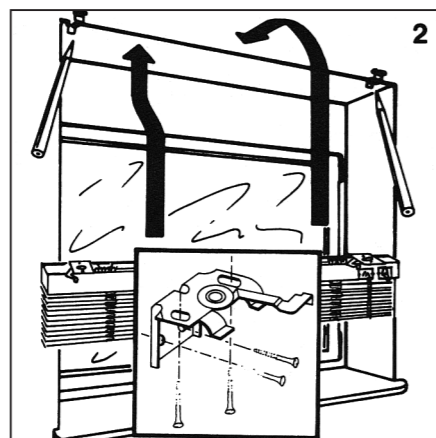
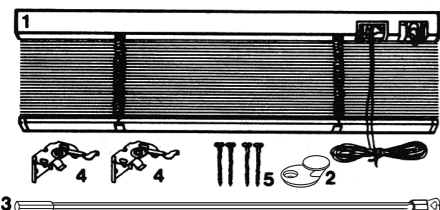
Every product brought in Alucolor is a product of highest quality and passes a series of detailed checks. All our products have a warranty of 2 years. The warranty is valid with a receipt and covers material defects and malfunctions caused by the producer.

DEAR CUSTOMER!  
THANK YOU FOR BUYING OUR PRODUCTS!

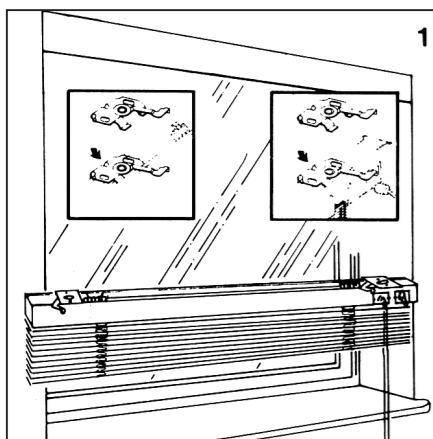
## Mounting in the window niche or to the wall

### Equipment:

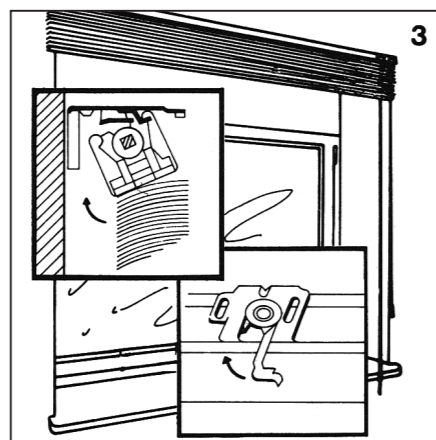
1. Venetian blind with head rail, slats and bottom rail
2. Cord holder
3. Wand
4. Universal bracket for ceiling- and wall mounting
5. Screws



2. With so fixed brackets, the blind should be held at the vaulting of the window niche or at the wall to mark the place where the brackets will be installed. Now the brackets can be taken off and screwed to the marked places.



1. Fit the brackets in the open position to the head rail. The first bracket should be near to the handling mechanisms, so, that Your blind could work smoothly and efficiently. The second bracket should lie on the other end of the blind.

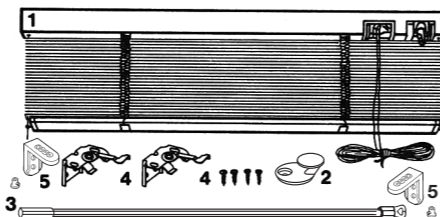


3. Having the brackets installed and their swivel in open position, fit the blinds head rail at a small angle into the brackets and fix it by firmly pushing the swivels to the left. So fixed blind can be now opened by lowering it down.

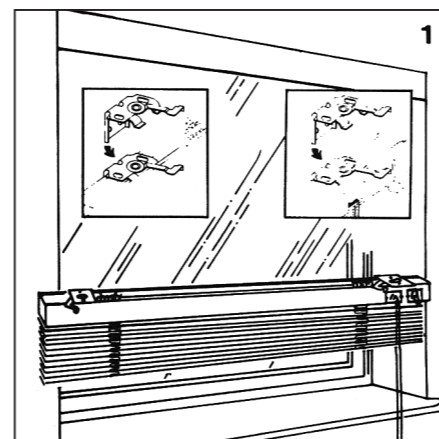
## Mounting to the window frame

### Equipment:

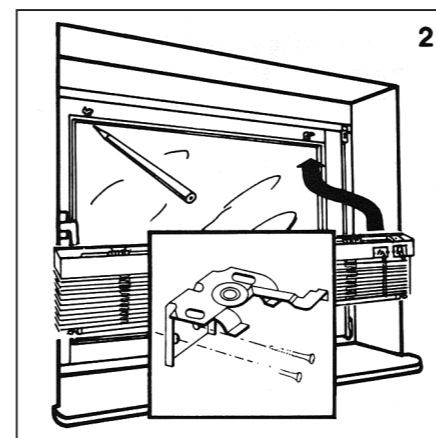
1. Venetian blind with head rail, slats, bottom rail and (optional) side guiding
2. Cord holder
3. Wand
4. Universal brackets and screws
5. Tension bracket with locking ring



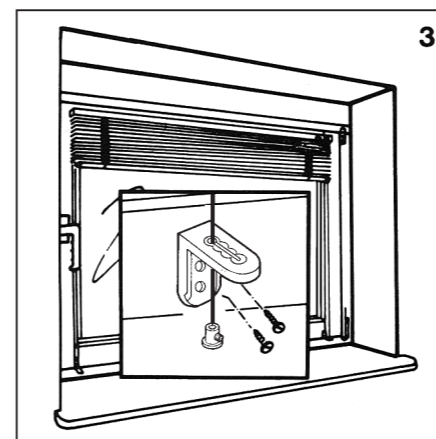
1. Fit the brackets in the open position to the head rail. The first bracket should be near to the handling mechanisms, so, that Your blind could work smoothly and efficiently. The second bracket should lie on the other end of the blind.



2. With so fixed brackets, the blind should be held at the the window frame to mark the place where the brackets will be installed. Now the brackets can be taken off and screwed to the window frame.



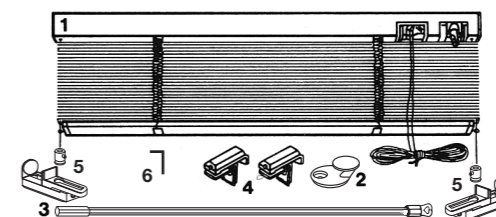
3. Having the brackets installed and their swivel in open position, fit the blinds head rail at a small angle into the brackets and fix it by firmly pushing the swivels to the left. So fixed blind can be now opened by lowering it down and the wire of the side guiding can be fixed to the window frame by using the attached devices. The wire is always longer than the blind, but can be shortened when it's fixed to the window frame and after adjusting the tension.



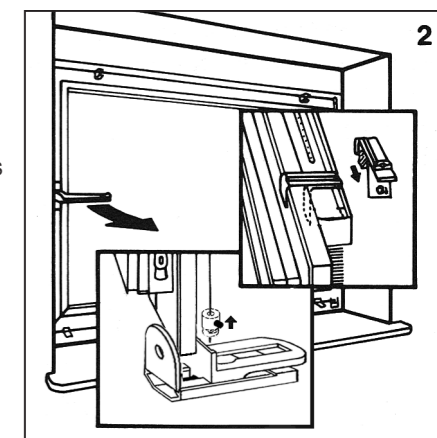
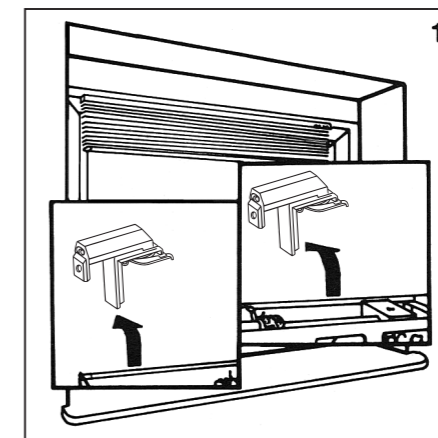
## Mounting on the PVC or aluminum window

### Equipment:

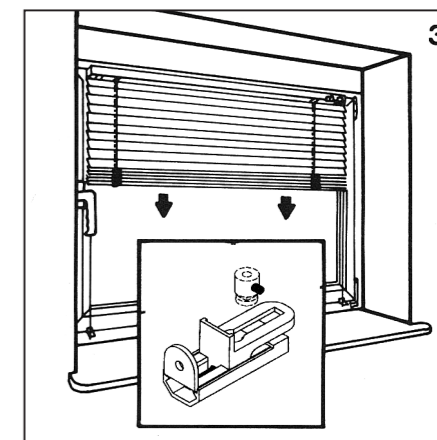
1. Venetian blind with head rail, slats, bottom rail and (optional) side guiding
2. Cord holder
3. Wand
4. Bracket for holder for mounting on plastic frames
5. Tension brackets- plastic windows
6. Hexagonal key



1. Having the bracket's swivel in open position fit the blinds head rail at a small angle into the brackets and fix it by firmly pushing the swivels to the left. The first bracket should be near to the handling mechanisms, so, that Your blind could work smoothly and efficiently. The second bracket should lie on the other end of the blind.



2. Having the brackets installed to the blind, fix the blind on the upper part of the window sash. Then screw the bracket with the enclosed hexagonal key.



3 So fixed blind can be now opened by lowering the blind down. (Optional) Fix the PVC tension bracket with a help of the hexagonal key to the bottom of the window sash. Then attach to the tension bracket the steel wire. The wire is always longer than the blind, but can be shortened, when it's fixed to the window sash and after adjusting the tension.